

# PALEFIRE

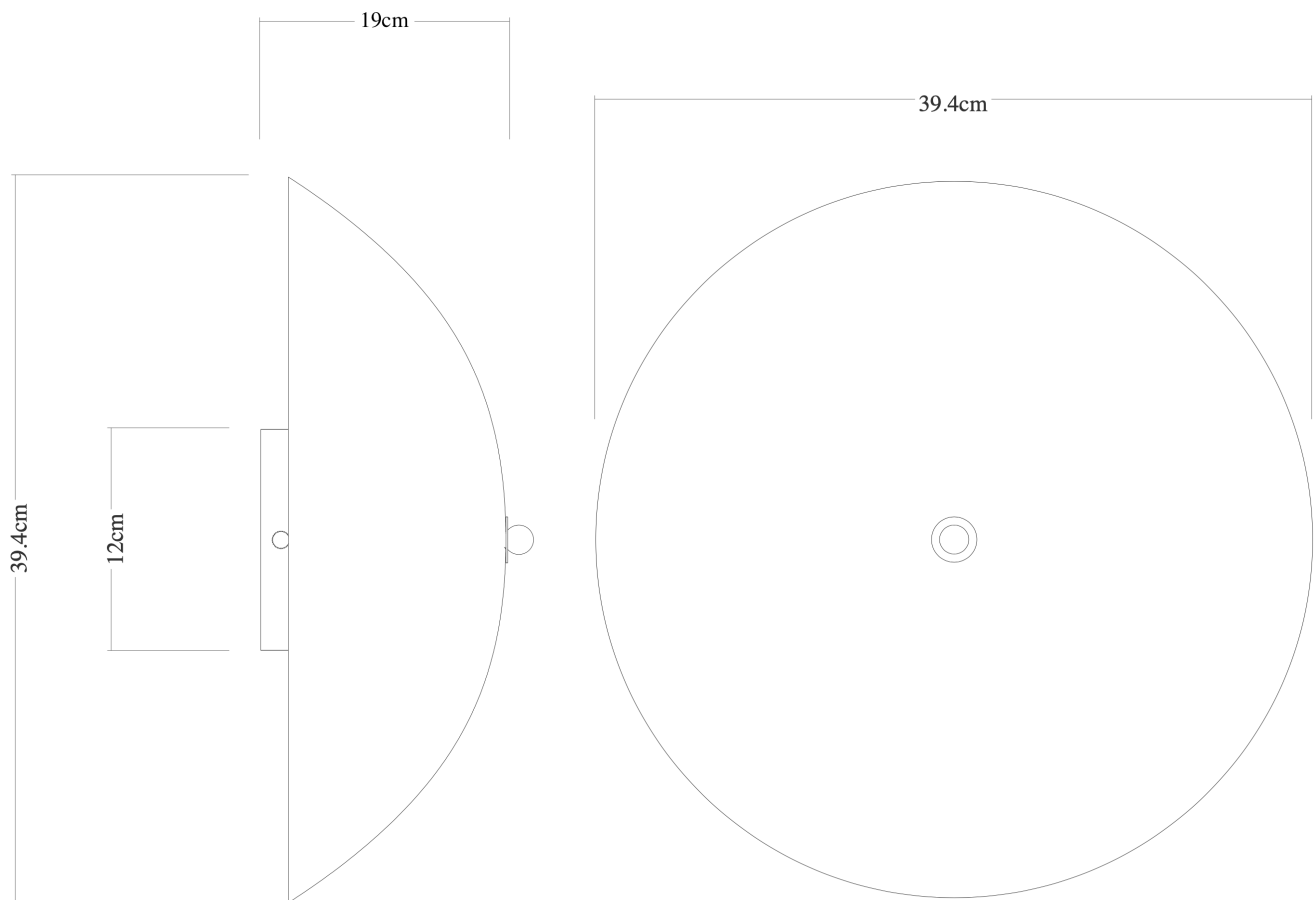
HALO  
INSTRUCTIONS



# HALO WALL LIGHT

# INSTRUCTIONS & SAFETY INFORMATION EU/UK & US

## Dimensions



## Design by

Palefire Studio Limited

## Material & finish

Hand-painted, paper pulp body and shade. Nickel plated brass fittings.

## Dimensions & weight

Ø39.4cm x D.19cm, 1kg

## Lamp type & wattage

- G9 lamp holder
- Max 10W LED (bulb not included)
- Dimmable (if used with compatible dimming controls and bulbs)

## IP rating

IP20



# SAFETY INFORMATION EU/UK & US

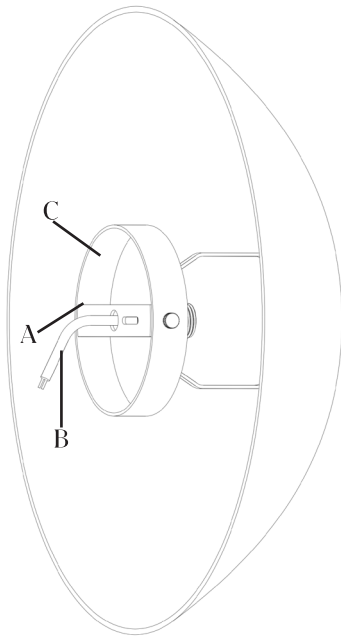
- Please read these instructions IN FULL and carefully BEFORE commencing assembly and installation.
- We recommend the use of a professional trades person with suitable qualifications for the installation of electrical lights.
- Install the light in conformity with all relevant local building codes and regulations.
- Make sure mains power is off during installation.
- Make sure that the light is securely mounted to the ceiling or wall and that there is a suitable substrate for this.
- Ensure you are working from a safe platform or ladder if working at height.
- Do NOT use a lightbulb of more than 10W.
- We strongly recommend using an LED lightbulb and we recommend an opal bulb to prevent shadowing by visible filaments.
- If at any point your lightbulb breaks then, as with any light, do not touch the filament/LED part unless the power is turned off
- Always turn off the power before changing a lightbulb.
- If the external flex cable is damaged, this should only be replaced by the manufacturer or a similarly qualified person.
- Our lights are handmade from natural materials and due care should be taken to avoid damage.
- Lightly dust or wipe clean with a soft, dry cloth.
- For indoor use only.
- Keep away from water. If wet, remove water immediately with a dry cloth.
- Not suitable for humid environments.

# HALO WALL LIGHT

# INSTRUCTIONS EU/UK & US PAGE 1/2

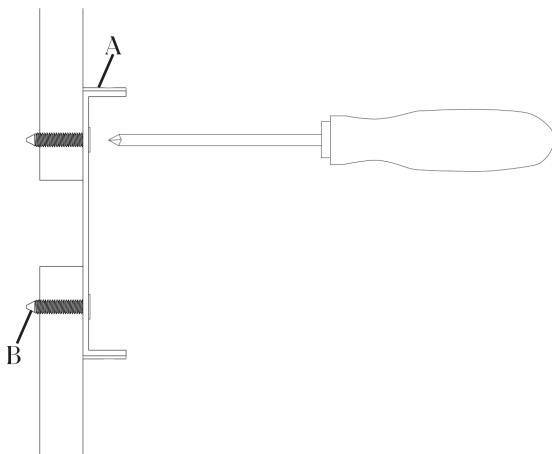
## Diagram 1

- A - Wall fixing plate
- B - Pre-installed electrical cables
- C - Wall plate
- D - WADO connector blocks (EU/UK)



## Diagram 2

- A - Wall fixing plate
- B - Fixing screws (not supplied)



## 1 Attach wall fixing plate

Attach the wall fixing plate (1, A) to the prepared wall using suitable fixing screws. See diagram 2.

Note we recommend the use of a plywood patress or heavy duty plasterboard fixings suitable for the weight of the lamp.

## 2 Connect to mains electrics

Connect the pre-installed electrical cables to the mains supply ensuring the correct polarity. See diagram 3.

Ensure all cables have been prepared to suitable lengths to ensure they can comfortably be housed in the wall plate (1, C) or behind the wall.

Use the supplied electrical connector blocks to make the connections (EU/UK only).

## Note!

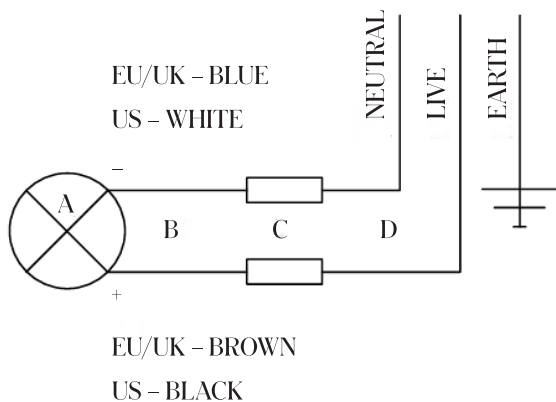
- Always use a professional electrician
- Ensure the mains electrics are OFF prior to making the electrical connections

# HALO WALL LIGHT

# INSTRUCTIONS EU/UK & US PAGE 2/2

## Diagram 3

Wiring diagram

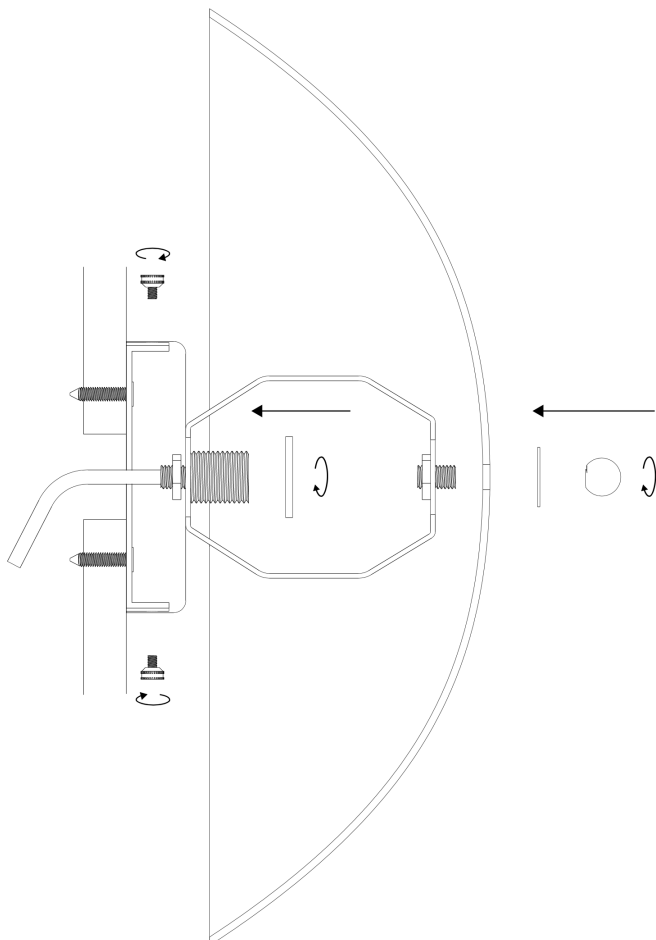


## 3 Secure the light fitting

Now that the connection has been made the light fitting can be secured to the wall. Carefully screw the supplied screws through either side of the wall canopy and into the wall fixing plate. Avoid tightening too much as this can damage the paint surface. See diagram 4.

The wall plate (1, C) should be flush to the wall and no movement should occur.

## Diagram 4



## 4 Connect the light bulb

Select a suitable LED light bulb with a maximum of 10W output. For a warm glow we would recommend a 2700K and for a cooler white glow a 3000K light bulb. Connect the bulb and test the lamp is working.



### Note!

- Always use a professional electrician
- Ensure the mains electrics are OFF prior to making the electrical connections

# PALEFIRE



4 WINCHESTER HOUSE  
LONDON SW9 6EJ

PALEFIRESTUDIO.COM  
INFO@PALEFIRESTUDIO.COM