

# PALEFIRE

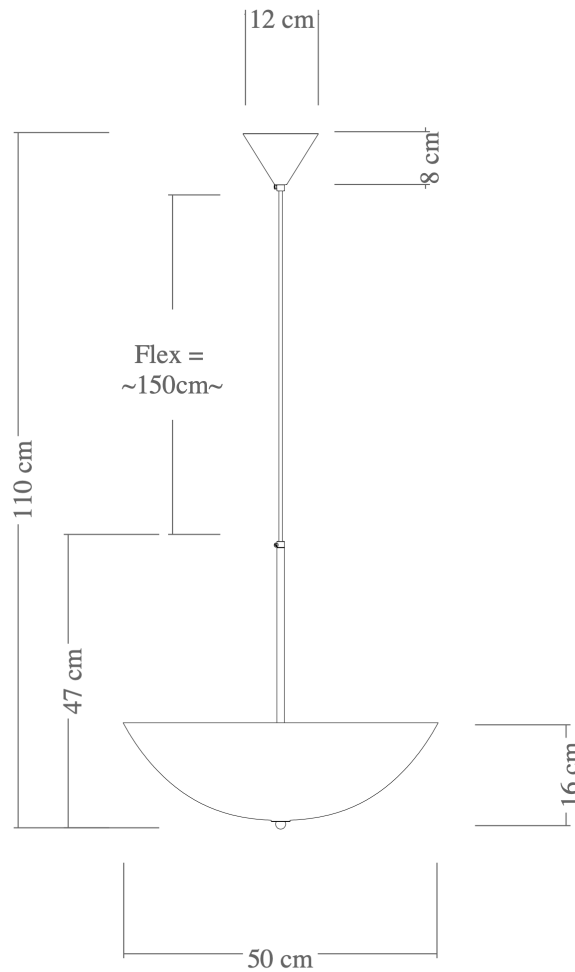
DISC

INSTRUCTIONS

# DISC PENDANT LIGHT

# INSTRUCTIONS & SAFETY INFORMATION EU/UK & US

## Dimensions



## Design by

Palefire Studio Limited

## Material & finish

Hand-painted, paper pulp body and shade. Nickel plated brass fittings.

## Dimensions & weight

Ø50cm, 1.5kg

## Lamp type & wattage

– Lamp holder: 2 x E14 (EU/UK) or E12 (US)

– Max 10W LED (bulb not included)

– Dimmable (if used with compatible dimming controls and bulbs)

## IP rating

IP20



# SAFETY INFORMATION UK/EU

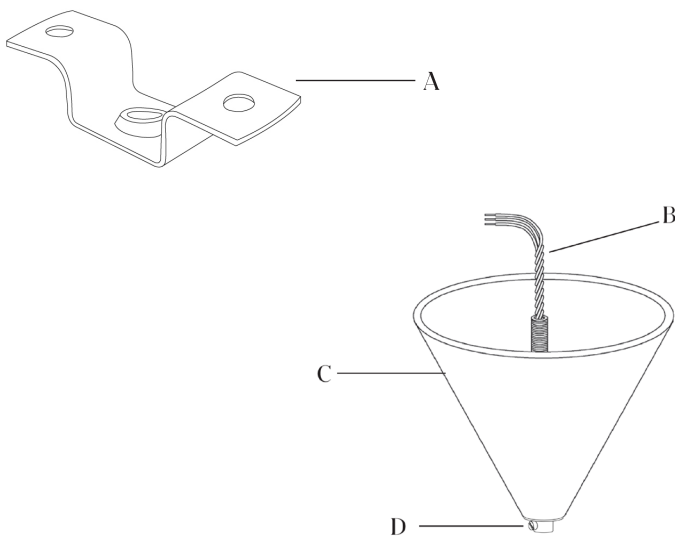
- Please read these instructions IN FULL and carefully BEFORE commencing assembly and installation.
- We recommend the use of a professional trades person with suitable qualifications for the installation of electrical lights.
- Install the light in conformity with all relevant local building codes and regulations.
- Make sure mains power is off during installation.
- Make sure that the light is securely mounted to the ceiling or wall and that there is a suitable substrate for this.
- Ensure you are working from a safe platform or ladder if working at height.
- Do NOT use a lightbulb of more than 10W.
- We strongly recommend using an LED lightbulb and we recommend an opal bulb to prevent shadowing by visible filaments.
- If at any point your lightbulb breaks then, as with any light, do not touch the filament/LED part unless the power is turned off
- Always turn off the power before changing a lightbulb.
- If the external flex cable is damaged, this should only be replaced by the manufacturer or a similarly qualified person.
- Our lights are handmade from natural materials and due care should be taken to avoid damage.
- Lightly dust or wipe clean with a soft, dry cloth.
- For indoor use only.
- Keep away from water. If wet, remove water immediately with a dry cloth.
- Not suitable for humid environments.

# DISC PENDANT LIGHT

# INSTRUCTIONS EU/UK & US PAGE 1/4

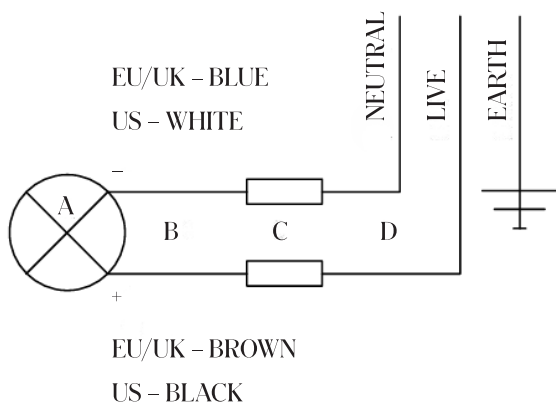
## Diagram 1

- A - Ceiling bracket
- B - Pre-installed electrical cables
- C - Ceiling rose canopy
- D - Cord grip



## Diagram 2

### Wiring diagram



## 1 Attach ceiling bracket

Attach the ceiling bracket (1, A) to the prepared ceiling using suitable fixing screws. See diagram 2.

Note we recommend the use of a plywood patress or heavy duty plasterboard fixings suitable for the weight of the lamp.

## 2 Connect to mains electrics

Connect the cables to the appropriate terminals ensuring the correct polarity. See diagram 2.

Ensure all cables have been prepared to suitable lengths to ensure they can comfortably be housed behind the ceiling.

Fit the cables around the cable restraints as shown in diagram 3.



### Note!

- Always use a professional electrician
- Ensure the mains electrics are OFF prior to making the electrical connections

# DISC PENDANT LIGHT

# INSTRUCTIONS EU/UK & US PAGE 2/4

Diagram 3

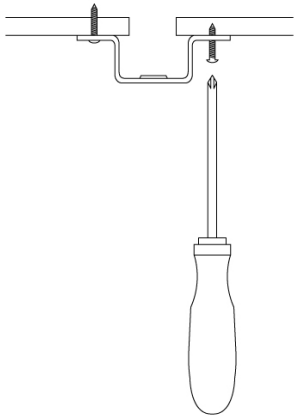


Diagram 4

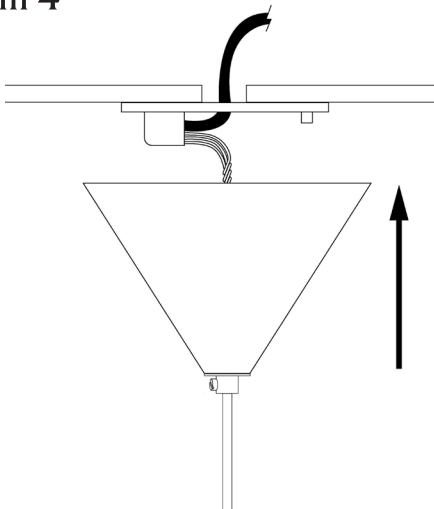
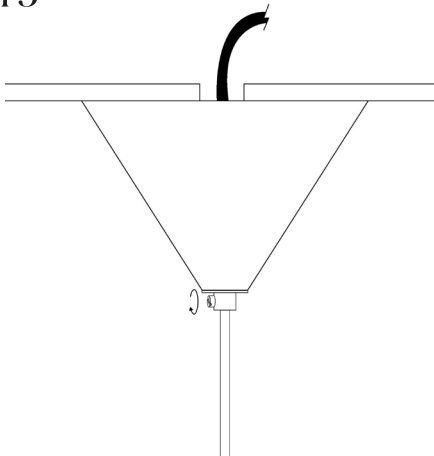


Diagram 5



## 3 Secure the ceiling rose

Now that the connection has been made the ceiling rose can be secured in place. Loosen the cord grip by carefully twisting to allow the flex to pass easily through. Push the ceiling rose canopy up until it is flush with the ceiling and tighten the cord grip twisting. See diagrams 4 and 5.

The ceiling rose canopy (1, C) should be flush to the ceiling and no movement should occur.

## 4 Connect the light bulb

Select a suitable light bulb with a maximum of 10W output. We recommend LED lightbulbs. For a warm glow we would recommend a 2700K and for a cooler white glow a 3000K light bulb. Screw the bulb in and test the lamp is working.

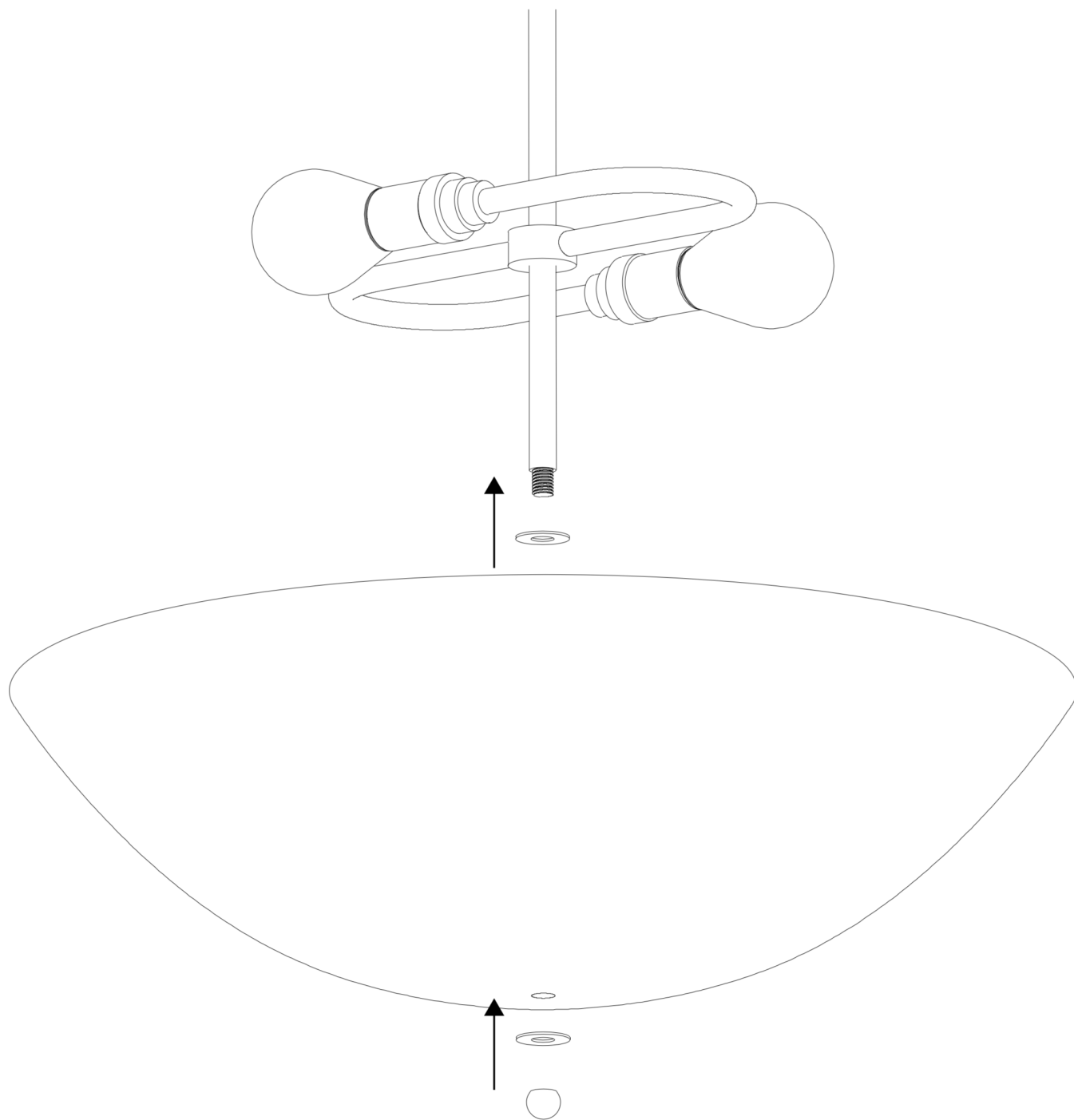


### Note!

- Always use a professional electrician
- Ensure the mains electrics are OFF prior to making the electrical connections

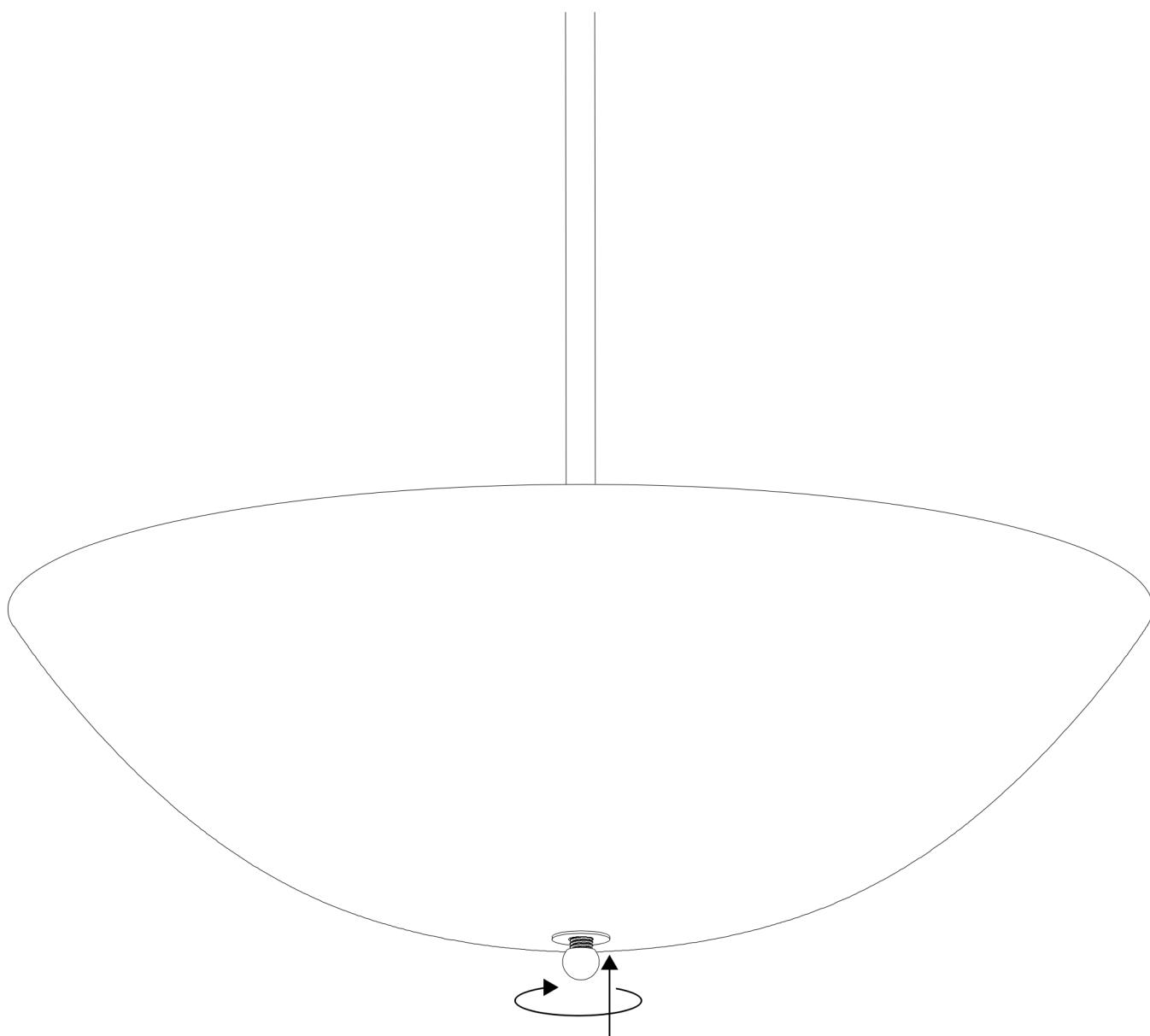
DISC  
PENDANT  
LIGHT

INSTRUCTIONS  
EU/UK & US  
PAGE 3/4



DISC  
PENDANT  
LIGHT

INSTRUCTIONS  
EU/UK & US  
PAGE 4/4



# PALEFIRE



4 WINCHESTER HOUSE  
LONDON SW9 6EJ

PALEFIRESTUDIO.COM  
INFO@PALEFIRESTUDIO.COM